

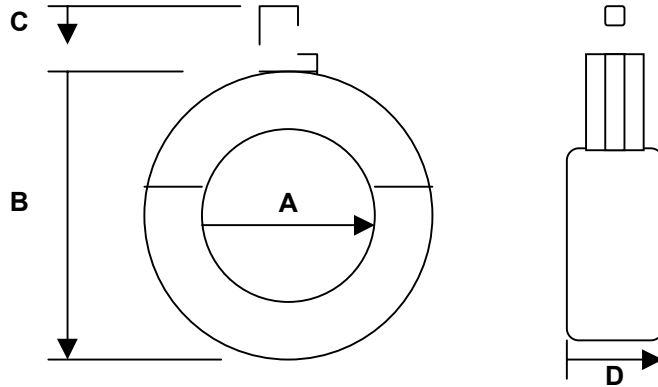
# Split Core Current Transformers

## Ring Type Range

Type	Primary current (A)	VA	Class	Inside diameter (mm)
<b>1</b>	100	1.5	1	32
	150	5	1	
	200	5	1	
	300	5	1	
<b>2</b>	400	5	1	45
	500	5	1	
	600	5	1	
<b>3</b>	800	5	1	65
	1000	5	1	
<b>4</b>	1200	5	1	85
	1250	5	1	
	1500	5	1	
	1600	5	1	
<b>5</b>	2000	5	1	105
	2500	5	1	
	3000	5	1	

## Dimensions (mm)

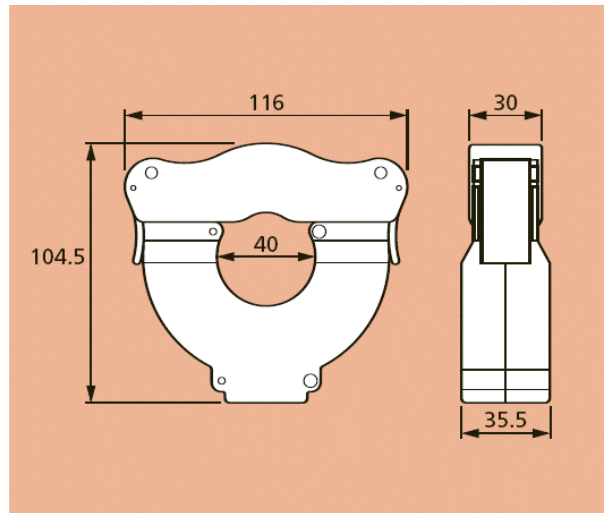
Size	A	B	C	D
1	32	88	12	35
2	45	95	12	30
3	65	115	12	25
4	85	145	12	30
5	105	165	12	30



## Clip Ring Type Range

Type	Primary current	VA	Class	Inside diameter (mm)
<b>1</b>	100 A	1(2.5)	1(3)	40
	150 A	1.5 (2.5)	1(3)	
	200 A	2.5	1	
	250 A	2.5	1	
	300 A	2.5	1	
	400 A	5	1	
	500 A	5	1	
	600 A	5	1	
	800 A	5	1	

## Dimensions



## NewFound Energy Ltd

Park View House - Worrall Street - Congleton - Cheshire - CW12 1DT  
 Tel: (01260) 290151 Fax: (01260) 290811  
 e-mail [sales@newfound-energy.co.uk](mailto:sales@newfound-energy.co.uk)  
[www.newfound-energy.co.uk](http://www.newfound-energy.co.uk)