

Clip-Together Ring Type, Split Core Current Transformers

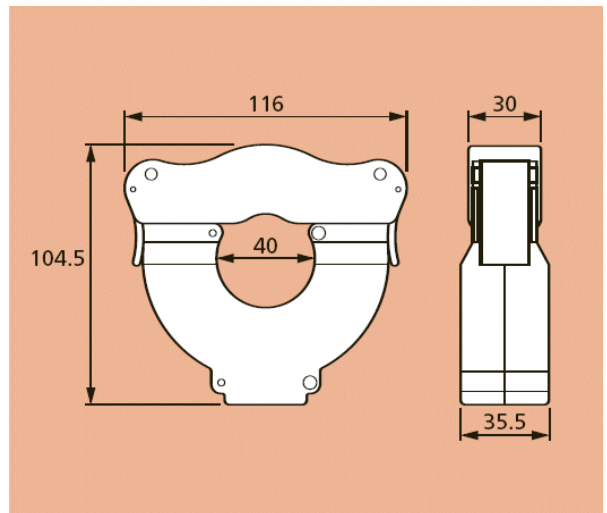
A range of split-core current transformers featuring a unique clip-together facility is available for installation into existing networks without disconnecting cable circuits. The fast action clip function ensures a high speed permanent installation. Supplied in a moulded case and complete with 1 metre length flying leads there are primary ranges available up to 800A with 5A secondary as standard.



Range

| Type | Primary current | VA | Class | Inside diameter (mm) |
|------|-----------------|-----------|-------|----------------------|
| 1 | 100 A | 1(2.5) | 1(3) |) 40 |
| | 150 A | 1.5 (2.5) | 1(3) | |
| | 200 A | 2.5 | 1 | |
| | 250 A | 2.5 | 1 | |
| | 300 A | 2.5 | 1 | |
| | 400 A | 5 | 1 | |
| | 500 A | 5 | 1 | |
| | 600 A | 5 | 1 | |
| | 800 A | 5 | 1 | |

Dimensions



Technical Specification

- Conforms to IEC 185, BS7626 and BSEN 60044-1 and IEC 60044-1
- Rated system voltage 0.72/3kV
- Ambient temperature range -30°C to 80°C
- Frequency range 50-60Hz
- Insulation level 3kV for 1 minute
- Continuous current, 1.2 x rated current.
- Enclosure flame retardancy UL94VO
- Overall footprint 116mm x 104.5mm with thickness of 35.5mm at widest point

NewFound Energy Ltd

Park View House - Worrall Street - Congleton - Cheshire - CW12 1DT
 Tel: +44 (0)1260 290151 Fax: +44 (0)1260 290811
 e-mail sales@newfound-energy.co.uk
www.newfound-energy.co.uk